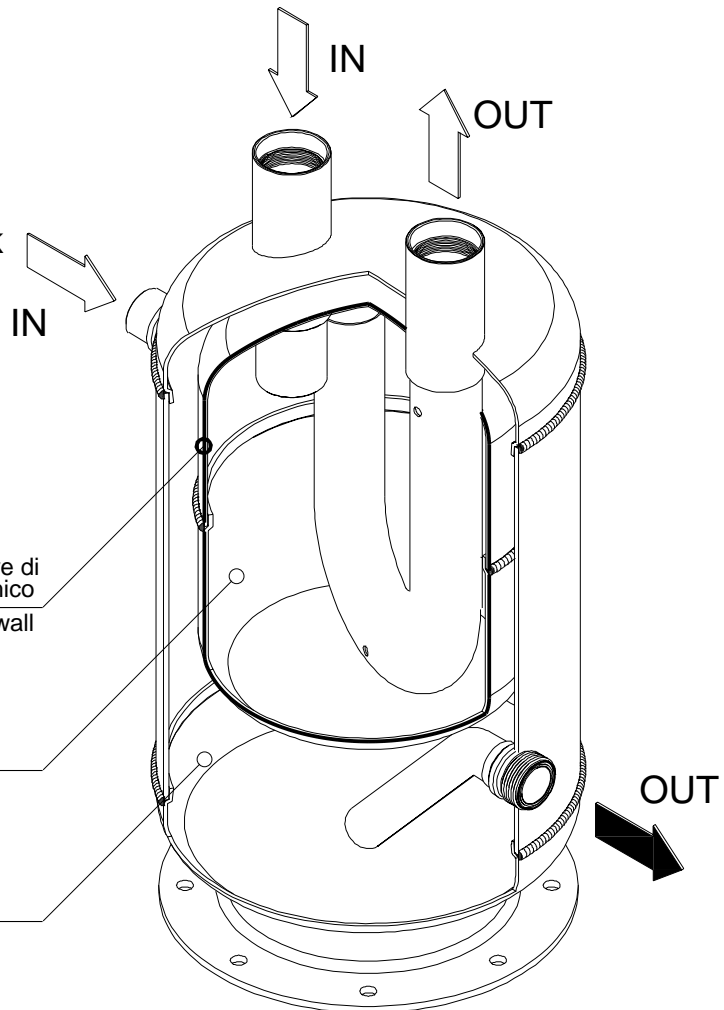
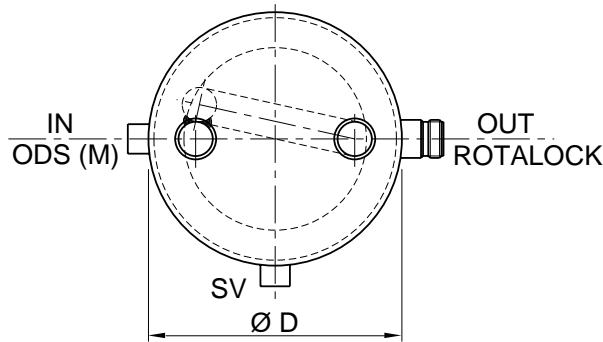
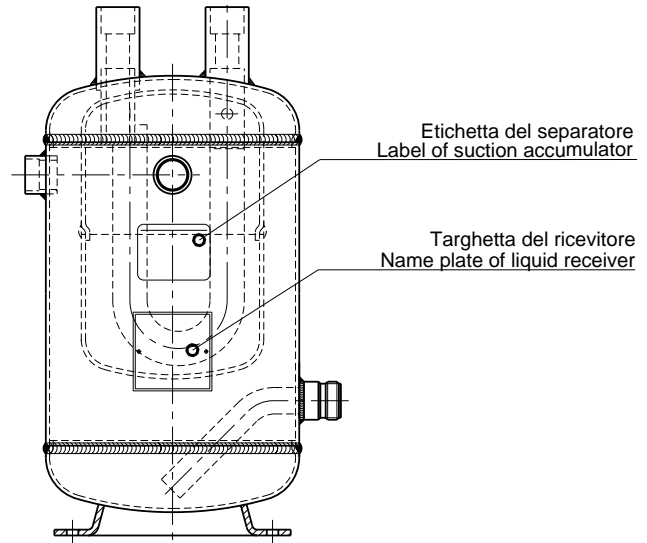
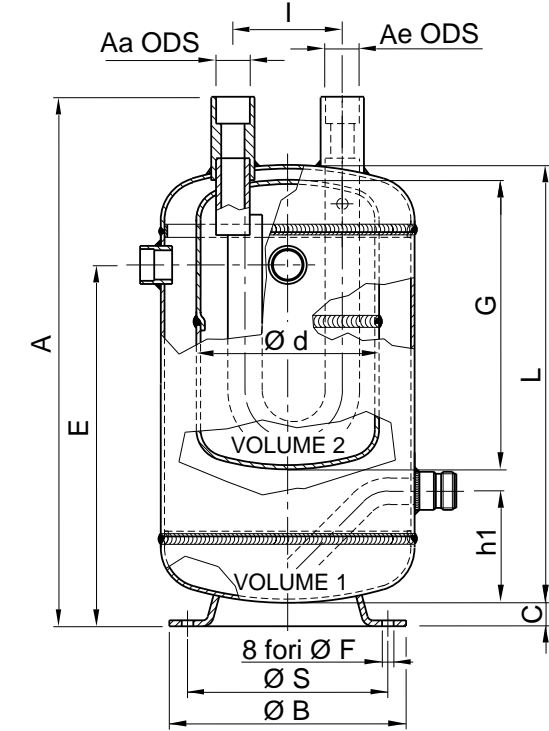


MODELLO FAS - A / MODEL FAS - A



Superficie della parete del separatore di liquido con funzione di scambio termico
Surface of the suction accumulator wall with thermal exchanger function

VOLUME 2
Separatore di liquido
VOLUME 2
Suction accumulator

VOLUME 1
Ricevitore di liquido
VOLUME 1
Liquid receiver

DATI TECNICI, TECHNICAL DATA

Temperatura TS- C Temperature TS- C	Min. -10	Max. +120	Min. -50	Max. +120	Pressione di collaudo PT -bar: 47.19(33x1.43) Test pressure PT -bar: 47.19 (33x1.43)
Pressione max. consentita PS-bar Max permissible pressure PS-bar	33	25	24	18	Refrigeranti: Gruppo Fluidi 1+2 esclusa (NH ₃ -R717) Refrigerants: Fluids Group 1+2 excluded (NH ₃ -R717)
	Volume 1	Volume 2	Volume 1	Volume 2	



COSTRUZIONE COMPONENTI PER LA
REFRIGERAZIONE ED IL CONDIZIONAMENTO
COMPONENTS MANUFACTURING FOR
REFRIGERATION AND AIR CONDITIONING

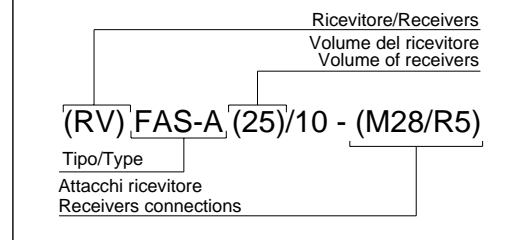
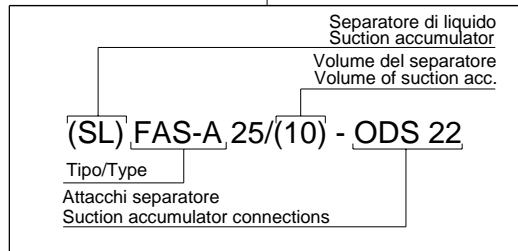
RICEVITORE - SEPARATORI DI LIQUIDO / SCAMBIATORE CAT. II - III

LIQUID RECEIVER - SUCTION ACCUMULATOR / HEAT EXCHANGER CAT. II - III

CATEGORIA CATEGORY	TIPO TYPE MODELLO	CONNESSIONI / CONNECTIONS						DIMENSIONI (mm) (±3%) / DIMENSIONS															
		Aa / Ae ODS			IN ODS (M) max	OUT ROTALOCK	SV NPT	VOL. 1 (Liter)	Ø D	L	VOL. 2 (Liter)	Ø d	G	A max	C	E	h1	I			Ø B	Ø S	Ø F
		1	2	3														1	2	3			
II Gr. 2	FAS-A 9 / 5	22	28	/	22	1"	1/2"	9	219.1	475	5	180	259	520	15	370	120	74	92	/	230	204	11
	FAS-A 18 / 5	22	28	/	28	1 1/4"	1/2"	18	273	480				530	20	365	135						
	FAS-A 10 / 5.6	22	28	/	22	1"	1/2"	10	219.1	520	5.6	160	332	565	15	415	120	74	92	/			
	FAS-A 20 / 5.6				28	1 1/4"	1/2"	20	273	530				580	20	415	135						
	FAS-A 12 / 7	22	28	/	22	1"	1/2"	12	219.1	630	7	160	411	675	15	525	120	74	92	/			
					FAS-A 23 / 7	28	1 1/4"	1/2"	23	273				620	670	20	505						
FAS-A 12 / 8	22	28	35	22	1"	1/2"	12	219.1	630	8	180	375	675	15	525	120	74	92	105				
				FAS-A 20 / 8	28	1 1/4"	1/2"	20	273				590	640	20	475				135			
FAS-A 25 / 10	22	28	35	28	1 1/4"	1/2"	25	273	690	10	200	380	740	20	575	135	74	92	105	260	220	13	
FAS-A 18 / 11	28	35	42	35	1 3/4"	1/2"	18	273	590	11	220	350	650	20	475	135	92	105	128				
				FAS-A 30 / 11	35	1 3/4"	1/2"	30	323.9				620	690	30	490				160			
FAS-A 25 / 12	35	42	54	42	1 3/4"	1/2"	25	323.9	550	12	260	280	620	30	420	160	105	128	166				
				FAS-A 30 / 12	42	1 3/4"	1/2"	30	355.6				550	605	15	375				190			
FAS-A 22 / 13	28	35	42	42	1 3/4"	1/2"	22	273	700	13	220	410	760	20	585	135	92	105	128				
				FAS-A 30 / 13	42	1 3/4"	1/2"	30	323.9				660	730	30	530				160			
FAS-A 30 / 19	35	42	54	42	1 3/4"	1/2"	30	323.9	730	19	260	430	800	30	600	160	105	128	166				
				FAS-A 38 / 19	54	2 1/4"	1/2"	38	355.6				700	755	15	525				190			
FAS-A 40 / 25	42	54	/	54	2 1/4"	1/2"	40	355.6	800	25	280	475	855	15	625	190	128	166	/	400	355	16	
FAS-A 50 / 30	54	64	/	64	2 1/4"	1/2"	50	355.6	950	30	300	519	1015	15	775	190	166	140	/				
				FAS-A 60 / 30	64	2 1/4"	1/2"	60	406.4				830	900	20	650							200
FAS-A 60 / 35	54	64	/	64	2 1/4"	1/2"	60	406.4	890	35	300	589	960	20	710	200	166	140	/				
FAS-A 50 / 30	67	/	/	64	2 1/4"	1/2"	50	355.6	950	30	300	519	1015	15	775	190	140	/	/				
				FAS-A 60 / 30	64	2 1/4"	1/2"	60	406.4				830	900	20	650				200			
FAS-A 60 / 35	67	/	/	67	2 1/4"	1/2"	60	406.4	890	35	300	589	960	20	710	200	140	/	/				

ESEMPI DI ORDINAZIONE / ORDERS EXAMPLES

FAS-A 25 / 10 - ODS 22



		LEGNAGO VERONA-Italy I-37045			
Type:	(SL) FAS-A 25/(10) - ODS 22				
Manufacture- Nr.	/ / / / / / / / / /				
Manufacture year					
Fluids Group	2	/	Excluded	/	
Category	II /		Volume V:L 10		
Temperature	TS	C	-10	120	-50 120
Max. Permissible pressure	PS-bar:	25		18	
Test pressure	PT-bar:	47.19			

		LEGNAGO VERONA-ITALY S.p.A I - 37045			
Type:	(RV) FAS-A (25)/10 - (M28/R5)				
Manufacture- Nr.					
Manufacture year					
Volume	V: L	25			
Temperature	TS- C	min:	-10	-50	
Temperature	TS- C	max:	120	120	
Pressione massima consentita Max. Permissible pressure	PS-bar:	33		24	
Pressione di collaudo Test pressure	PT-bar:	47.19		Escluso Excluded	
Pressione d'essai Pressure of essai					
Gruppo Fluidi/Fluids Group/Groupe fluides Categoria/Category/Categorie	2 /		/		