

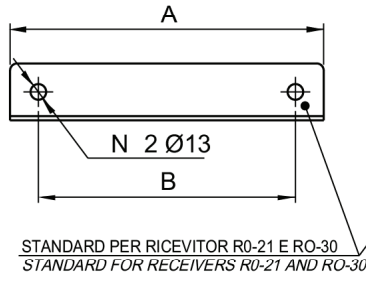


**RISERVE D'OLIO / OIL RECEIVERS**

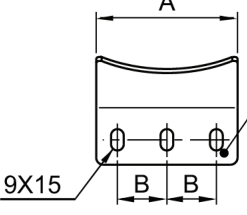
CAT. I ETICHETTE / LABELS CAT. II

 LEGNAGO VERONA-Italy I37045			
Type:		Type:	
Manufacture- Nr.		Manufacture- Nr.	
Manufacture year		Manufacture year	
Fluids Group	Excluded	Fluids Group	Excluded
Category	Volume V.L.	Category	Volume V.L.
Temperature TS- C		Temperature TS- C	
Max.Permissible pressure PS-bar		Max.Permissible pressure PS-bar	
Test pressure PT-bar		Test pressure PT-bar	

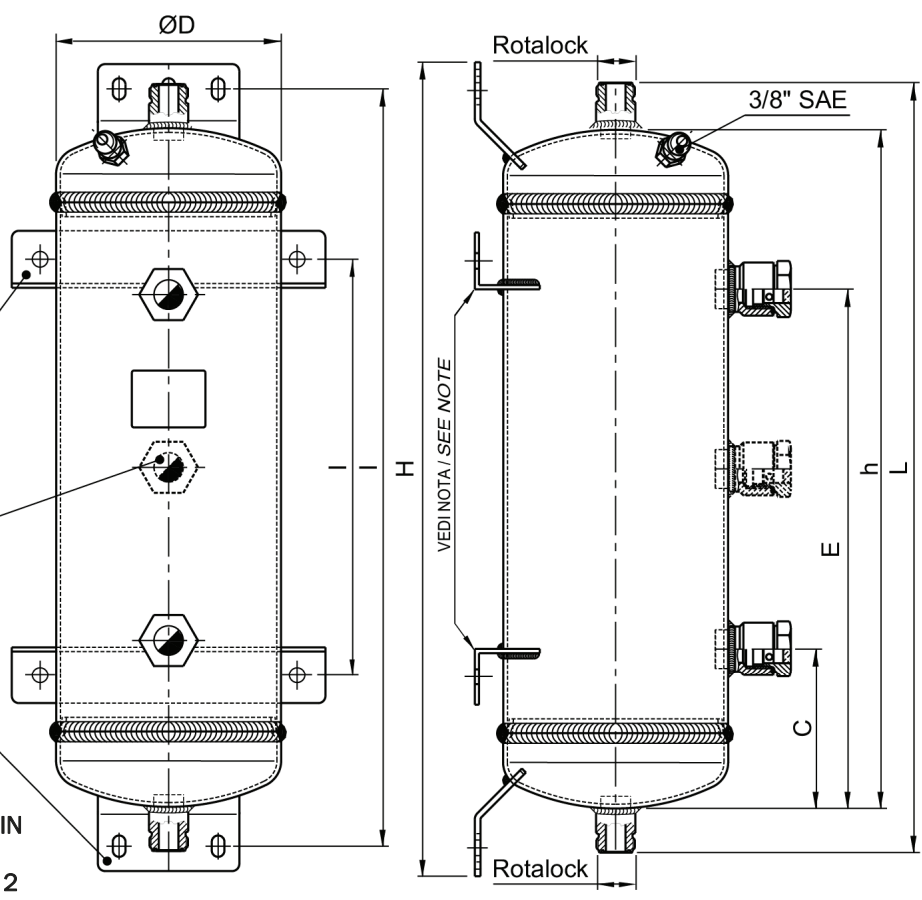


SOLO PER PER RICEVITORI RO-21 E RO-30  
ONLY FOR RECEIVERS RO-21 AND RO-30

STANDARD PER RICEVITORI RO-6 / RO-16  
STANDARD FOR RECEIVERS RO-6 / RO-16



CALCULATION IN ACC.TO FLUID GROUP 2



**TABELLA A/TABLE A: DATI TECNICI, TECHNICAL DATA - SERIE: PS = 33 bar**

Temperatura TS - °C Temperature TS - °C	Min.-10 Max.+140	Min.-50 Max.+140	Pressione di collaudo PT Test pressure PT											
Pressione max. consentita PS -bar Max permissible pressure PS -bar	<b>33</b>	<b>24</b>	<b>PT-bar: 47.19 (33x1.43)</b>											
PED CAT.	DENOMINAZIONE NAME TYPE	LITRI LITRES	IN Ø Rotalock INLET Ø Rotalock	OUT Ø Rotalock OUTLET Ø Rotalock	SPIA VETRO SIGHT GLASS	ØD	h	L	H	C	E	A	B	I
I	RO-6	6	3/4"	3/4"	N 2 SG 18	160	358	391	435	111	246	100	35	400
	RO-8	8	1"	1"	N 2 SG 18	159	480	524	570	160	320	100	35	535
II	RO-12	12	1"	1"	N 2 SG 18	159	710	754	800	236	474	100	35	765
	RO-16	16	1"	1"	N 2 SG 18	159	900	944	990	300	600	100	35	955
	RO-21	21	1"	1"	N 3 SG 18	193.7	800	858	/	125	675	200	160	600
	RO-30	30	1"	1"	N 2 SG 18	300	519	577	/	145	374	300	260	160

**TABELLA B/TABLE B: DATI TECNICI, TECHNICAL DATA - SERIE: PS = 45 barSERIE PER R410A / SERIES FOR R410A**

Temperatura TS - °C Temperature TS - °C	Min.-10 Max.+120	Min.-50 Max.+140	Pressione di collaudo PT Test pressure PT											
Pressione max. consentita PS -bar Max permissible pressure PS -bar	<b>45</b>	<b>33</b>	<b>PT-bar: 64.35 (45x1.43)</b>											
PED CAT.	DENOMINAZIONE NAME TYPE	LITRI LITRES	IN Ø Rotalock INLET Ø Rotalock	OUT Ø Rotalock OUTLET Ø Rotalock	SPIA VETRO SIGHT GLASS	ØD	h	L	H	C	E	A	B	I
II	RO-6	6	3/4"	3/4"	N 2 SG 18	160	358	391	435	111	246	100	35	400
	RO-8	8	1"	1"	N 2 SG 18	159	480	524	570	160	320	100	35	535
II	RO-12	12	1"	1"	N 2 SG 18	159	710	754	800	236	474	100	35	765
	RO-16	16	1"	1"	N 2 SG 18	159	900	944	990	300	600	100	35	955
	RO-21	21	1"	1"	N 3 SG 18	193.7	800	858	/	125	675	200	160	600

N.B. A norma di legge il presente catalogo non può essere riprodotto nei testi e nelle rappresentazioni grafiche da ditte concorrenti. NOTES: According to the law in force, any text or graphic reproduction of this catalogue, even partial, is strictly prohibited.