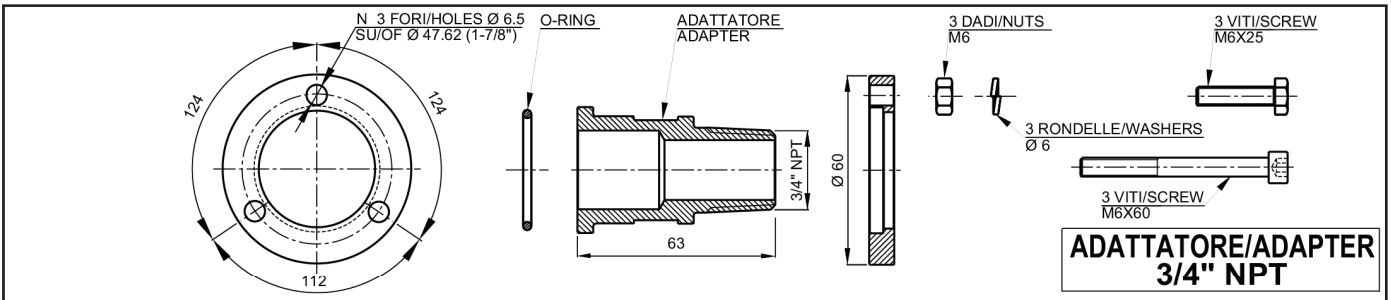


**ADATTATORI ED ACCESSORI / ADAPTERS AND ACCESSORIES**



N 3 FORI/HOLES Ø 6.5  
SU/OF Ø 47.62 (1-7/8")

O-RING

ADATTATORE  
ADAPTER

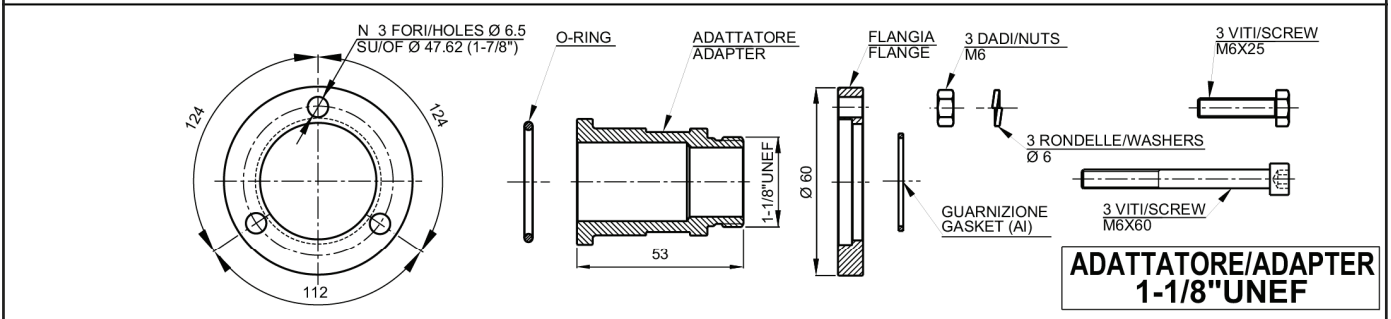
3 DADI/NUTS  
M6

3 VITI/SCREW  
M6X25

3 RONDELLE/WASHERS  
Ø 6

3 VITI/SCREW  
M6X60

**ADATTATORE/ADAPTER  
3/4" NPT**



N 3 FORI/HOLES Ø 6.5  
SU/OF Ø 47.62 (1-7/8")

O-RING

ADATTATORE  
ADAPTER

FLANGIA  
FLANGE

3 DADI/NUTS  
M6

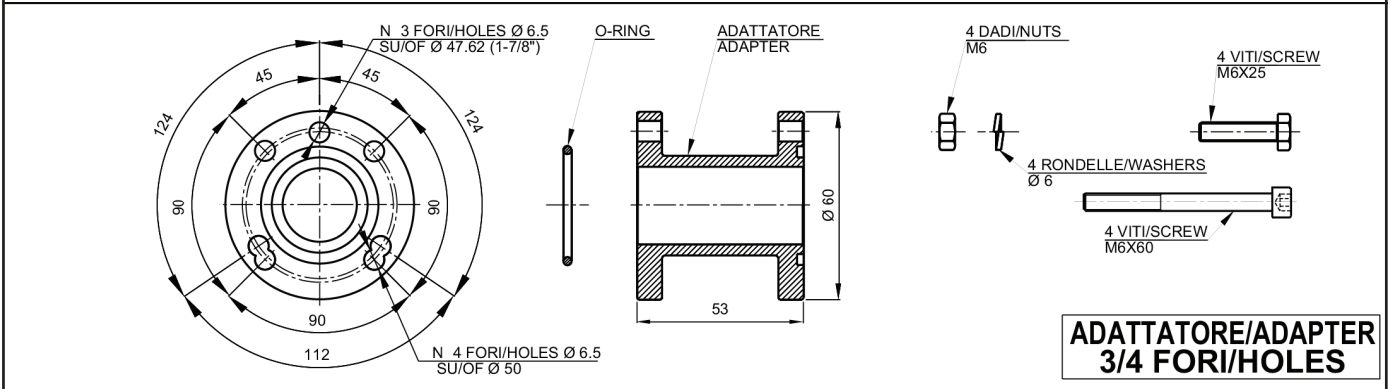
3 VITI/SCREW  
M6X25

3 RONDELLE/WASHERS  
Ø 6

GUARNIZIONE  
GASKET (AI)

3 VITI/SCREW  
M6X60

**ADATTATORE/ADAPTER  
1-1/8" UNEF**



N 3 FORI/HOLES Ø 6.5  
SU/OF Ø 47.62 (1-7/8")

O-RING

ADATTATORE  
ADAPTER

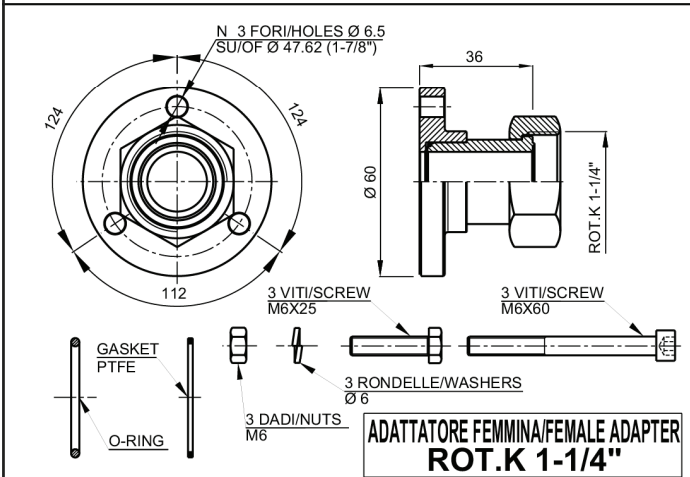
4 DADI/NUTS  
M6

4 VITI/SCREW  
M6X25

4 RONDELLE/WASHERS  
Ø 6

4 VITI/SCREW  
M6X60

**ADATTATORE/ADAPTER  
3/4 FORI/HOLES**



N 3 FORI/HOLES Ø 6.5  
SU/OF Ø 47.62 (1-7/8")

36

Ø 60

ROT.K 1-1/4"

3 VITI/SCREW  
M6X25

3 VITI/SCREW  
M6X60

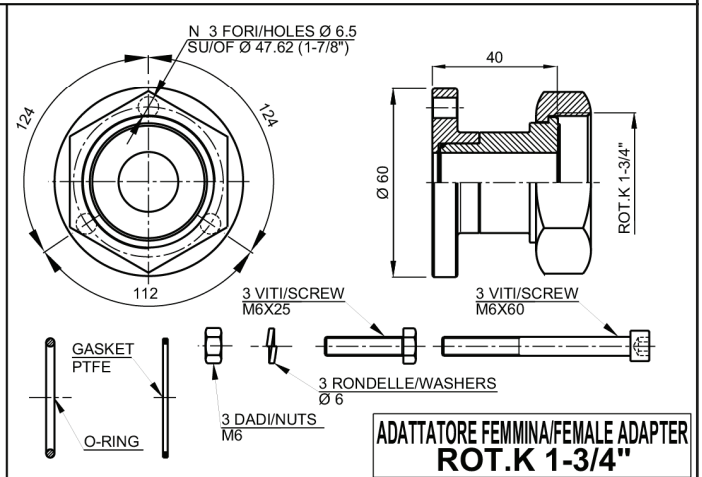
GASKET  
PTFE

O-RING

3 RONDELLE/WASHERS  
Ø 6

3 DADI/NUTS  
M6

**ADATTATORE FEMMINA/FEMALE ADAPTER  
ROT.K 1-1/4"**



N 3 FORI/HOLES Ø 6.5  
SU/OF Ø 47.62 (1-7/8")

40

Ø 60

ROT.K 1-3/4"

3 VITI/SCREW  
M6X25

3 VITI/SCREW  
M6X60

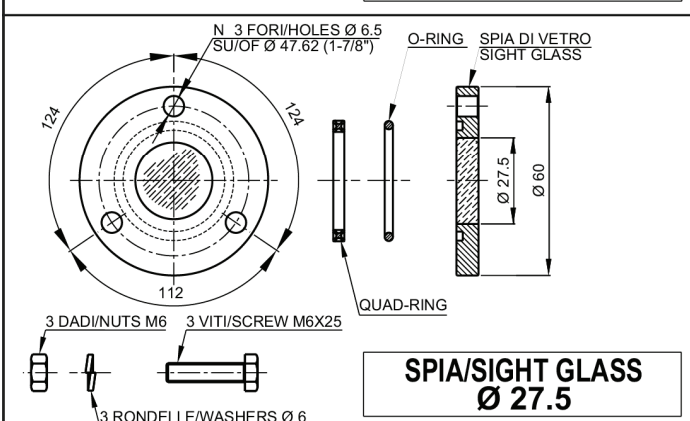
GASKET  
PTFE

O-RING

3 RONDELLE/WASHERS  
Ø 6

3 DADI/NUTS  
M6

**ADATTATORE FEMMINA/FEMALE ADAPTER  
ROT.K 1-3/4"**



N 3 FORI/HOLES Ø 6.5  
SU/OF Ø 47.62 (1-7/8")

O-RING

SPIA DI VETRO  
SIGHT GLASS

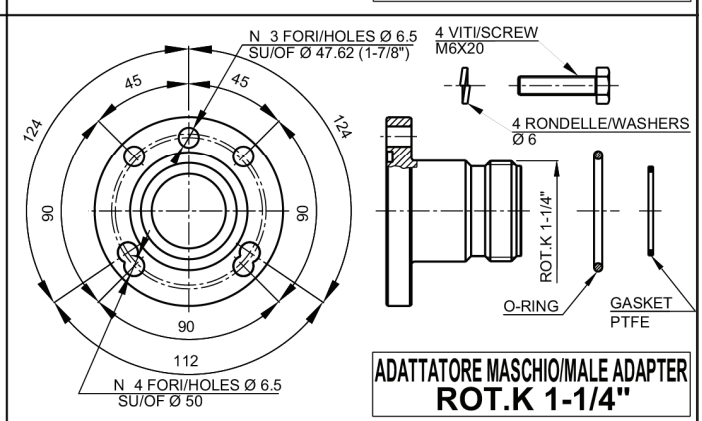
QUAD-RING

3 DADI/NUTS M6

3 VITI/SCREW M6X25

3 RONDELLE/WASHERS Ø 6

**SPIA/SIGHT GLASS  
Ø 27.5**



N 3 FORI/HOLES Ø 6.5  
SU/OF Ø 47.62 (1-7/8")

45

124

90

112

90

112

90

4 VITI/SCREW  
M6X20

4 RONDELLE/WASHERS  
Ø 6

ROT.K 1-1/4"

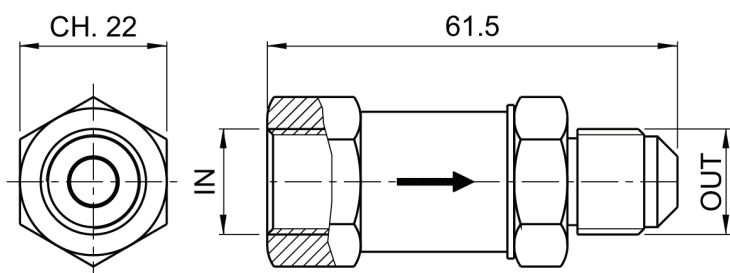
O-RING

GASKET  
PTFE

**ADATTATORE MASCHIO/MALE ADAPTER  
ROT.K 1-1/4"**

N.B. A norma di legge il presente catalogo non può essere riprodotto nei testi e nelle rappresentazioni grafiche da ditte concorrenti. NOTES: According to the law in force, any text or graphic reproduction of this catalogue, even partial, is strictly prohibited.

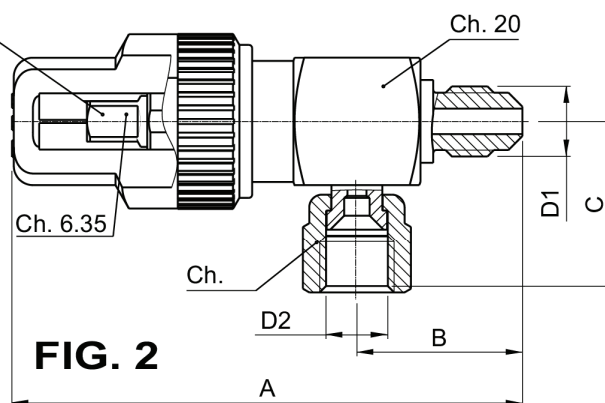
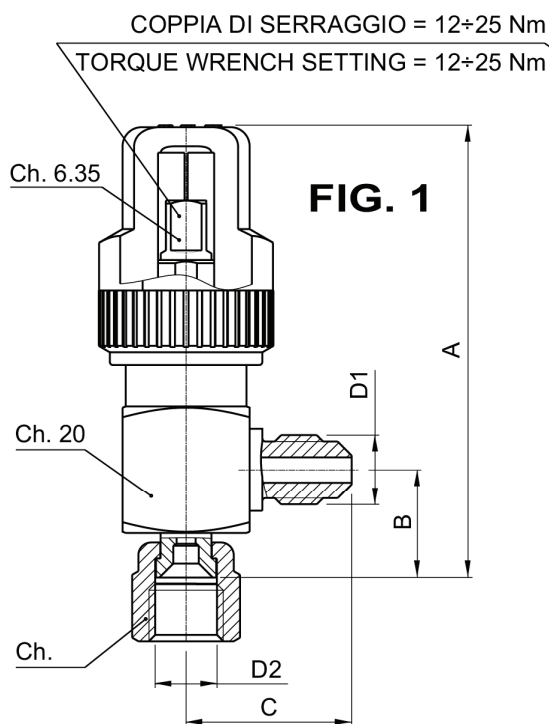
**VALVOLE DIFFERENZIALI PER RISERVE D'OLIO / DIFFERENTIAL VALVE FOR OIL RECEIVERS**



DATI TECNICI TECHNICAL DATA	
Temperatura TS - °C Temperature TS - °C	Min. -50 Max. +120
Pressione max. consentita PS -bar Max permissible pressure PS -bar	45
Refrigerants: HCFC-HFC-HFO-HC ,CO <sub>2</sub> and other ones with low GWP	

TIPO / TYPE	PRESSIONE DI TARATURA PRESSURE SETTING	ATTACCO IN CONNECTION IN	ATTACCO OUT CONNECTION OUT
DV-1.4	1.4 bar	3/8" SAE FLARE FEMALE	3/8" SAE FLARE MALE
DV-2.4	2.4 bar	3/8" SAE FLARE FEMALE	3/8" SAE FLARE MALE
DV-3.5	3.5 bar	3/8" SAE FLARE FEMALE	3/8" SAE FLARE MALE

**VALVOLE DI INTERCETTAZIONE PER REGOLATORI DI LIVELLO OLIO / OIL REGULATOR SHUT-OFF VALVES**



DATI TECNICI / TECHNICAL DATA			
Temperatura TS - °C Temperature TS - °C	-10/+140	-10/-40	-40/-60
Pressione max. consentita PS -bar Max permissible pressure PS -bar	45	33	11
Pressione di collaudo PT -bar: 64.35 (45x1.43) Test pressure PT -bar: 64.35 (45x1.43)			
Refrigerants: HCFC-HFC-HFO-HC ,CO <sub>2</sub> and other ones with low GWP			

TIPO / TYPE	FIG.	A	B	C	ATTACCO FISSO FIXED CONNECTION D1	ATTACCO GIREVOLE / SWIVEL CONNECTION		
						D2	Ch.	COPPIA DI SERRAGGIO TORQUE WRENCH SETTING
R+F003/T1/V	1	71	17	26	1/4" SAE	1/4" SAE FEMALE	17	11±14 Nm
R+F004/T1/V	1	74	20	30	3/8" SAE	3/8" SAE FEMALE	22	20±25 Nm
R+F006/T1/V	1	74	20	28.5	1/4" SAE	3/8" SAE FEMALE	22	20±25 Nm
F003/T1	2	81	27.5	17	1/4" SAE	1/4" SAE FEMALE	17	11±14 Nm
F004/T2	2	83	29.5	20	3/8" SAE	3/8" SAE FEMALE	22	20±25 Nm
F004/T1	2	81	27.5	20	1/4" SAE	3/8" SAE FEMALE	22	20±25 Nm